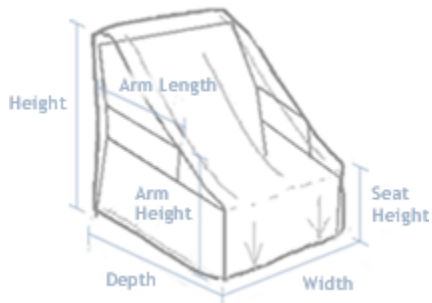


Seating



Width (Side to Side)

Depth (Front to Back)

Height (Bottom to Top of Seat Back)

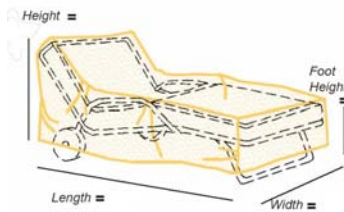
Seat Height (Top of cushion)

Arm Height (Top of Arm at Front of Seating)

Arm Length (Length of Arm from Front to Back)

If Box Style (arms are same height as back), please state this as the construction will be altered to consider this.

Chaise



Set chaise at a semi-elevated position

Width (Side to Side)

Depth (Front to Back)

Height (Bottom to Top of Headrest)

Seat Height (Top of cushion)

Arm Height (Top of Arm at Front of Seating)

Arm Length (Length of Arm from Front to Back)

Small Table / Ottoman

Shape - Round, Square, Oval, Rectangular, Other (please explain)

Length (Longest portion of piece)

Width (Widest Portion of piece)

Height (Bottom to Top of piece)

BBQ



Width (Side to Side)

Depth (Front to Back)

Height (Bottom to Top of Hood)

Hood Width (Side to Side of Hood)

Shelf Height (Bottom to Top of Shelf)

If over 75" in Width, or if hood is not centered

Shelf Width Right Side (Width from Hood to Edge)

Shelf Width Left Side (Width from Hood to Edge)

If built-in

Cover cannot be made for built-in attached to a home or wall

Cover must be able to be draped over piece

Cover cannot be L or U shape

Any sinks, shelves, gaslines or electrical connections must be clearly marked, measured and explained.

Dining

Shape - Round, Square, Oval, Rectangular, Other (please explain)

Umbrella Hole – yes or no

Number of Chairs

Length (Chair Back to Chair Back)

Width (Chair Back to Chair Back)

Width of End Chair(s)

Width of Side Chair(s)

Height (Bottom to Top of Chair Back)

If Round, Length and Width would be the diameter

Umbrella

Height (when closed)

Circumference (when closed)

Size (when opened)